

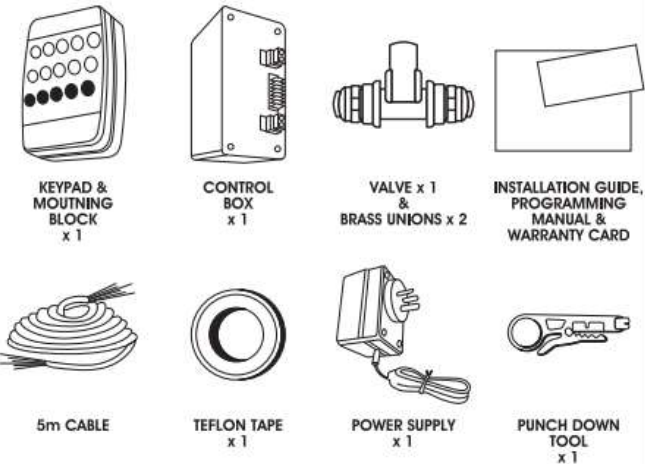
ShowerTimer PIN /Wireless model

Quick Install Guide



STEP 1 - CHECK CONTENTS

Your Water Watch kit should contain the following items, if any parts are missing or damaged please contact the store where it was purchased.



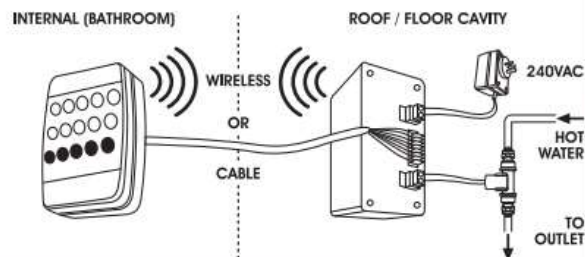
STEP 2 - CHECK THE COMPATIBILITY OF YOUR INSTALLATION

Before starting your installation you must first check the following:

1. You have adequate access to fit the solenoid valve to the 1/2" copper hot water pipe supplying the outlet you want to control.
2. Your hot water service does not exceed 80°C
3. Mains power (240VAC) is available within 6m of where the solenoid will be installed - An electrician will only be required if you install an additional G.P.O, where possible an existing one should be used.

If all of these requirements have been met you can proceed with the installation. This is done in 4 stages:

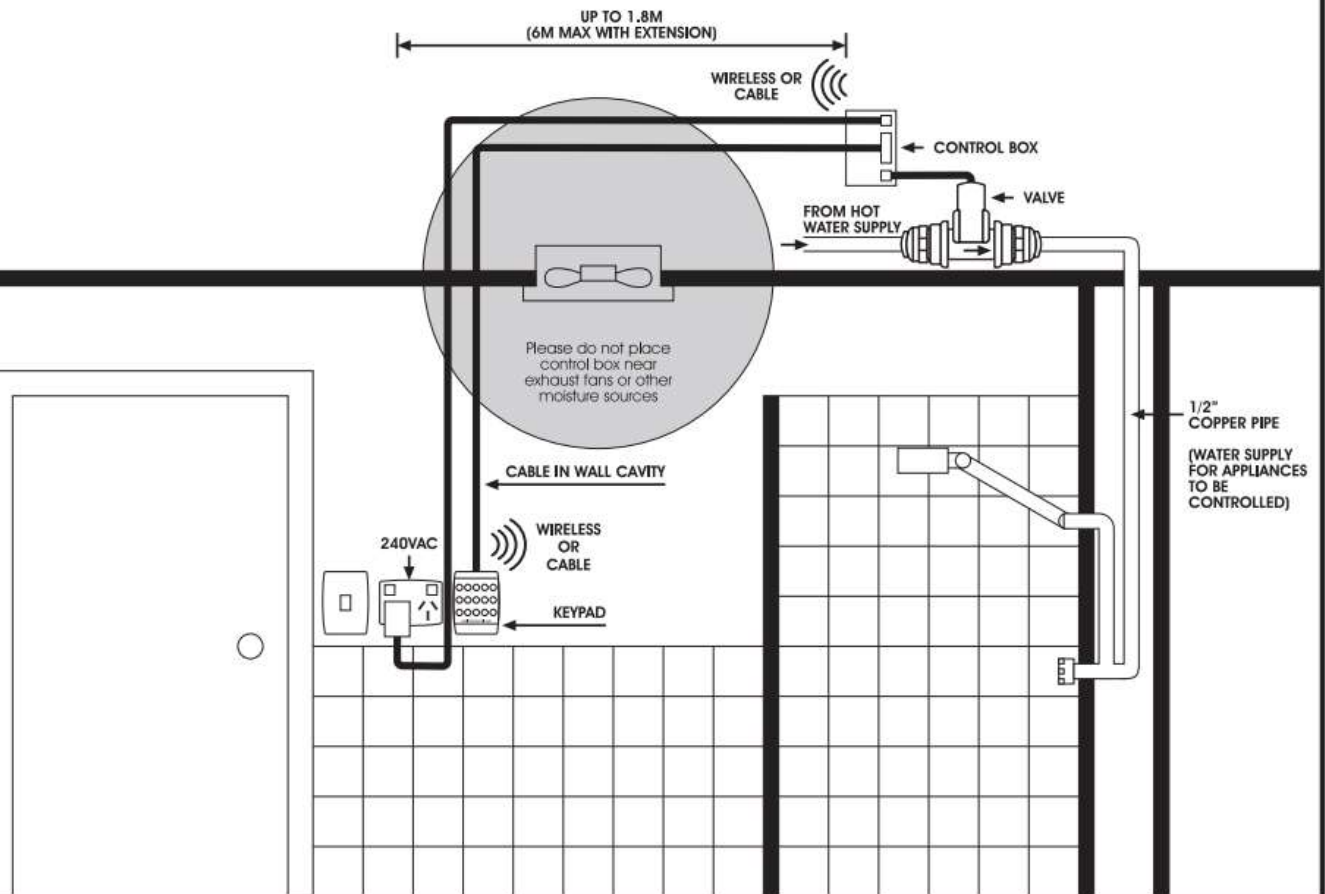
1. Plan your layout
2. Install the water solenoid and control box in your ceiling, wall or floor cavity. A licensed plumber may be required for this, check with your local authorities.
3. Install the keypad unit, either using wireless connection or the cable supplied.
4. Program and test the keypad



STEP 3 - PLAN YOUR LAYOUT

By suitable placement of the solenoid valve, you can use your Water Watch to individually control the shower, bath, basin, an appliance or the whole bathroom. If access to your house hot water plumbing is under the floor or external rather than in the ceiling then substitute the valve and control box location accordingly.

Before starting the installation, decide where you will position the valve, control box and keypad. Consideration must be given to how you will route the cable between the keypad and control box if the wired option is chosen. Also check where power is available for the control box and that the location for each component is suitably protected from moisture and condensation.

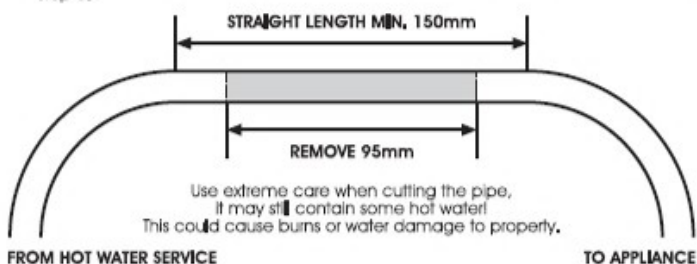


WARNING! SOLENOID VALVE MUST ONLY BE FITTED TO THE HOT WATER SUPPLY. FITTING TO A COLD WATER LINE COULD RESULT IN SERIOUS BURNS.

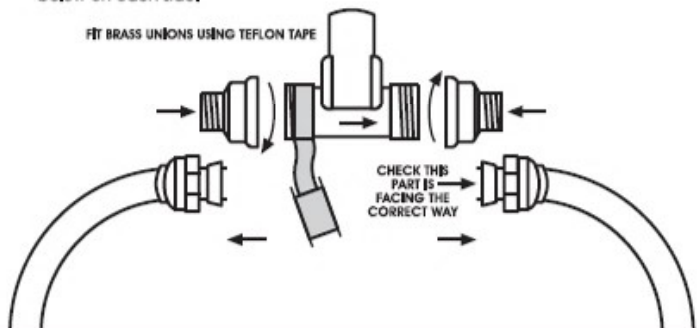
STEP 4 - SOLENOID INSTALLATION

Although this is a simple process, in many areas it is a legal requirement that all plumbing work is completed by an approved trades person. **PLEASE CHECK WITH YOUR LOCAL AUTHORITIES BEFORE INSTALLATION!**

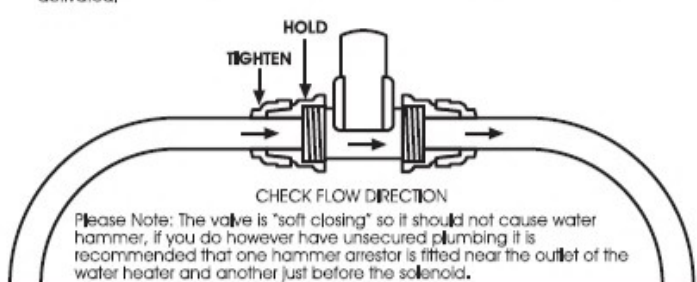
1. Turn off the mains water supply and drain the hot water line that the solenoid is to be fitted to.
2. Remove a 95mm section of pipe from the suitable location for the valve chosen in step 3.



3. Apply Teflon tape to the threaded ends of the solenoid valve, then screw on and tighten the larger part of each brass union. Do not use an excessive amount of tape at the start of the thread or the brass union may become cross thread.
4. Ensure the trimmed ends of the pipe are clean then position the 2 unions as shown below on each side.



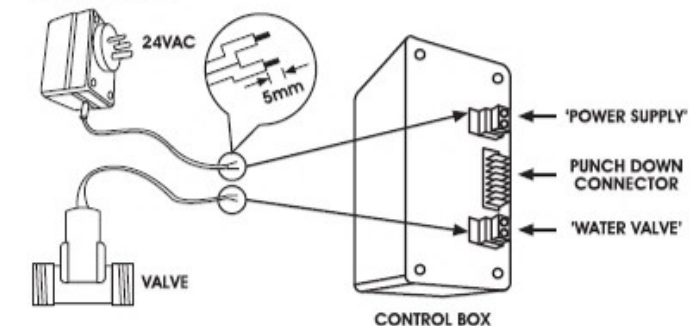
5. Position the solenoid valve in line with the pipe (ensuring the flow direction is correct - the arrow should point in the direction the water flows to the appliance). Then tighten each crush nut while holding the adjacent brass fitting firmly with a second wrench so as to not stress the valve. Once complete turn the water back on and check for any leaks. Note: you will not be able to check for leaks on the appliance side of the valve until the valve is activated.



STEP 5 - ELECTRICAL INSTALLATION

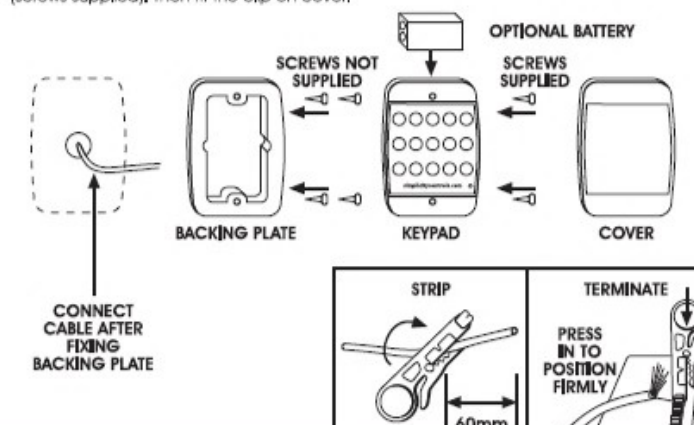
Electrical installation should not require the services of an electrician as the system is designed to use an existing G.P.O. (general power outlet) - either in the bathroom or roof / floor cavity. If a suitable G.P.O. is not available an electrician may be required to install one for you - check with your local authorities if in doubt.

1. Position the control box within a short distance of the solenoid valve so that its wires can be directly connected to it.
2. Strip 5mm from the ends of the wires of the solenoid valve and 24VAC power supply. Connect the solenoid valve directly to the output (labelled 'water valve') on the control box. Connect the output of the plug pack to the 'Power Supply' connector. The plug pack leads can be extended up to 6m in length (total) using 22AWG or larger wire if required. Do not switch on the power until the keypad installation has been completed.

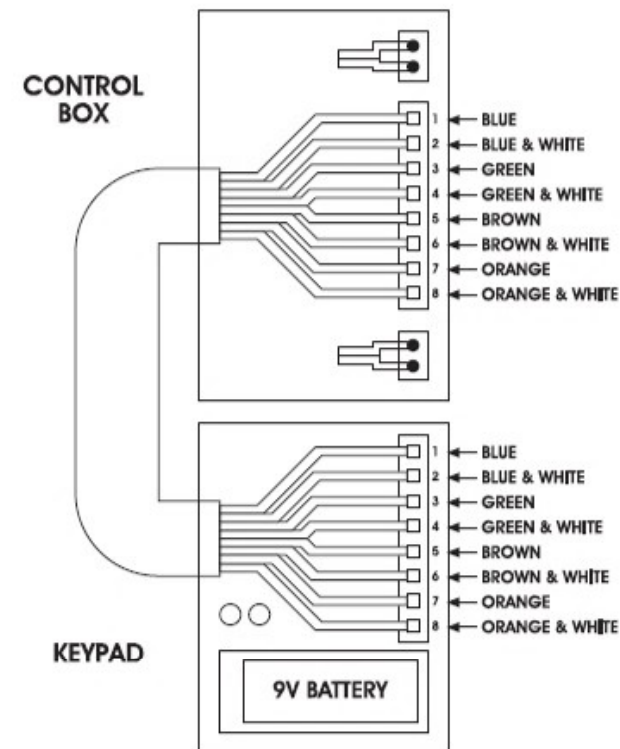


OPTION A HARD WIRED KEYPAD INSTALLATION

1. Route the supplied CAT5 cable from the control box to where the keypad will be mounted, if it is being mounted adjacent to a light switch an electrician can use the mains wiring to draw the cable through the wall cavity. Alternatively conduit or similar can be used to enclose the wire.
2. Use the punch down tool to strip 60mm of the outer sheath from the CAT 5 cable at both ends, press individual wires in to position with the tool at the control box (solenoid valve) end. Ensure the wires are connected in the correct order - the individual wires should not be stripped before they are pushed into position.
3. Pass the wire through the backing plate, then fasten the plate to the wall (screws not supplied). Connect the keypad using the punch down tool. Double check the order of the wires before installing 9V battery (optional) and screwing it to the backing plate (screws supplied). Then fit the clip on cover.



CORRECT WIRING ORDER FOR THE PUNCH DOWN CONNECTOR IS CRITICAL!



INCORRECT WIRING MAY DAMAGE THE UNIT!

OPTION B WIRELESS KEYPAD INSTALLATION

The keypad can also be used with it's built in wireless communications. This only requires a 9V battery to be installed in the back of the keypad to make it operate. The battery should be changed once a year when you change the battery in your smoke alarm.

IMPORTANT!

Wireless systems can occasionally be prone to interference from external sources and range can be effected by the structure of the building it is installed in. It is highly recommended that the wireless system be temporarily installed and tested by programming in a single user and running the system for a number of days. After successfully testing the system, the keypad can then be permanently installed using the same method described for the hard wired install - fasten backing plate to wall, keypad to backing plate and then fit the clip on cover.

ONCE INSTALLATION IS COMPLETED YOU CAN BEGIN PROGRAMMING YOUR WATER WATCH - PLEASE SEE YOUR PROGRAMMING MANUAL FOR MORE DETAILS.